



For more support information



## vtech®

Quick start guide  
(Canada version)

### Congratulations

on purchasing your new VTech product.  
Before using this baby monitor, please read the **Important safety instructions**.

#### What does HD Video Monitor do?

VTech 5" Smart Nursery Over-the-Crib Mount Monitor allows you to stay close to your baby when you are on the move or away. This monitor is Wi-Fi enabled, using your home wireless network to stream live video and audio through the 1080p baby unit and 5-inch color screen parent unit. It allows you to maintain a constant connection to your baby.

You can also monitor from your smartphone or mobile tablet.  
VTech 5" Smart Wi-Fi 1080p Video Monitor uses **MyVTech Baby Plus** app to let you instantly see and hear what's happening with your baby from anywhere in the world. The app can be downloaded from the App Store or the Google Play™ Store.

Specifications are subject to change without notice.  
© 2023 Vtech Telecommunications Canada Ltd.  
All rights reserved. 03/23, VC2105, CA, Q56, V1



App Store is a trademark of Apple Inc., registered in the U.S. and other countries. Android™ and Google Play™ are trademarks of Google Inc.



**DISCLAIMER**  
Our products are NOT medical devices. They are not intended for use as medical devices or to replace medical devices. They shall not be relied upon for any type of critical monitoring. They are not designed to are not intended to diagnose, treat, cure, mitigate, alleviate or prevent any disease or other condition, including but not limited to, sudden infant death syndrome (SIDS).  
Our products are only for tracking your baby's general sleep patterns. False positive or false negative readings about your baby's sleep patterns are a potential risk of our products. Our products are not a substitute for medical consultation and treatment or adult supervision and care.

Power requirement	Normal effective range	LCD	Channels	Transmit frequency
Parent unit power adapter: Output: 5V DC, 1.5A Baby unit power adapter: Output: 5V DC, 1.5A Parent unit battery: 3.7V 5000mAh, 18.5Wh Lithium-ion battery	Maximum power allowed by FCC and IC: Actual operating range may vary according to environmental conditions at time of use.	5" Color LCD (IPS 1280x720 pixels)	13	Parent unit: 2412 - 2472 MHz Baby unit: 2412 - 2472 MHz

### TECHNICAL SPECIFICATIONS

## IMPORTANT SAFETY INSTRUCTIONS

The applied nameplate is located at the bottom of the baby unit's base. When using your equipment, basic safety precautions should always be followed to reduce the risk of fire, electric shock and injury, including the following:

- Follow all warnings and instructions marked on the product.
- Adult setup is required.
- CAUTION:** Do not install the baby unit at a height above 6.5 feet (2 meters).
- This product is intended as an aid. It is not a substitute for responsible and proper adult supervision and should not be used as such.
- This product is not intended for use as a medical monitor.
- Do not use this product near water, for example, near to a bath, sink, swimming pool or shower.
- This product is not intended for use as a medical monitor. The battery cannot be subjected to high or low extreme temperature and low air pressure at high altitude during use, storage or transportation. Disposal of battery in fire or a hot oven, mechanically crushing or cutting the battery can result in an explosion. Leaving the battery in an extremely high temperature surrounding environment can result in an explosion or the leakage of flammable liquid or gas. Battery subjected to extremely low air pressure may result in an explosion or the leakage of flammable liquid or gas. Dispose of used battery according to the information in **The RBRC seal**.
- CAUTION:** Do not install the baby unit at a height above 6.5 feet (2 meters).

**SAVE THESE INSTRUCTIONS**

**Power adapter information:**  
Baby Unit Output: 5V DC 1.5A  
Vtech Telecommunications Ltd.  
Model: VT07EUS05150  
Parent Unit Output: 5V DC 2A  
Vtech Telecommunications Ltd.  
Model: VT07EUS05200

**Rechargeable battery information:**  
3.7V 5000mAh, 18.5Wh Lithium-ion battery  
Zhuhai Great Power Energy Co., Ltd.  
Model: GSP06090-5Ah-3.7V-Li-IP

- The power adapter is intended to be correctly oriented in a vertical or floor mount position. The prongs are not designed to hold the plug in place if it is plugged into a ceiling, under-the-table or cabinet outlet.
- For pluggable equipment, the socket-outlet (power adapter) should be installed near the equipment and should be easily accessible.
- Plug this product from the wall outlet before cleaning. Do not use liquid or aerosol cleaners. Use a damp cloth for cleaning.
- Do not modify the power adapters or replace with other adapters, as this causes a hazardous situation.
- Do not allow anything to rest on the power cords. Do not install this product where the cords may be walked on or crimped.
- This product should be operated only from the type of power source indicated on the marking label. If you are not sure of the type of power supply in your home, consult your dealer or electricity supply provider.
- Do not overheat wall outlets or use an extension cord.
- Do not place this product on an unstable table, shelf, stand or other unstable surfaces.
- This product should not be placed in any area where proper ventilation is not provided. Slots and openings in the back or bottom of this product are provided for ventilation. To protect them from overheating, these openings must not be blocked by placing the product on a soft surface such as a bed, sofa or rug. This product should never be placed near or over a radiator or heat source.
- Never push objects of any kind into this product through the slots because they may touch dangerous voltage points or create a short circuit. Never spill liquid of any kind on the product.

- To reduce the risk of electric shock, do not disassemble this product, but take it to an authorized service facility. Disassembling or removing parts of the product other than via the battery door may expose you to dangerous voltages or other risks. Incorrect reassembly can cause electric shock when the product is subsequently used.
- You should test the sound reception every time you turn on the units or move one of the components.
- Periodically examine all components for damage.
- There is a very low risk of privacy loss when using certain electronic devices, such as baby monitors, cordless telephones, etc. **To protect your privacy, make sure the product has never been used before purchase, reset the baby monitor periodically by powering off and then powering on the units, and power off the baby monitor if you are not intending to use it for some time.**
- Children should be supervised to ensure that they do not play with the product.
- The small parts of this monitor can be swallowed by babies or small children. Keep these parts out of reach of children.
- The product is not intended for use by persons (including children) with reduced physical, sensory or mental capabilities, or lack of experience and knowledge, unless they have been given supervision or instruction concerning use of the appliance by a person responsible for their safety.

**Warnings—Strangulation Hazard—Children have STRANGLED in cribs. Keep this cord out of the reach of children (more than 3 ft (0.9m) away). Do not remove warning label on the adapter cord.**

- The product is not intended for use by persons (including children) with reduced physical, sensory or mental capabilities, or lack of experience and knowledge, unless they have been given supervision or instruction concerning use of the appliance by a person responsible for their safety.
- Other electronic products may cause interference with your camera unit. Try installing your camera unit as far away from these electronic devices as possible: wireless routers, radios, cellular telephones, intercoms, room monitors, televisions, personal computers, kitchen appliances and cordless telephones.

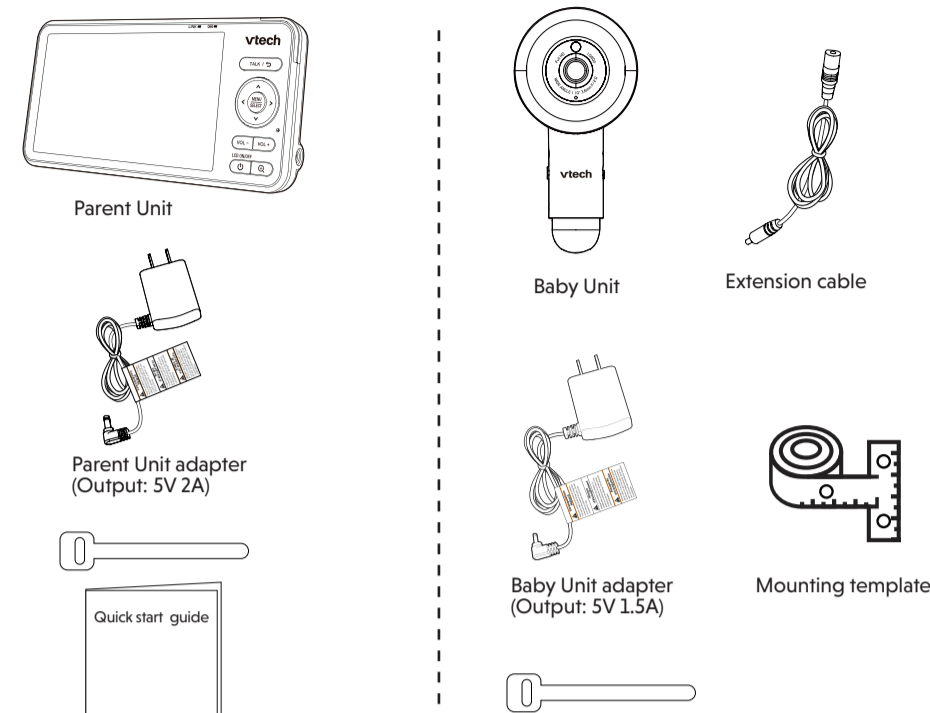
**Precautions for users of implanted cardiac pacemakers**  
Cardiac pacemakers (applies only to digital cordless devices): Wireless Technology Research, LLC (WTR), an independent research entity, led a multidisciplinary evaluation of the interference between portable wireless devices and implanted cardiac pacemakers. Supported by the U.S. Food and Drug Administration, WTR recommends to physicians that:

- Pacemaker patients**
  - Should keep wireless devices at least six inches from the pacemaker.
  - Should NOT place wireless devices directly over the pacemaker, such as in a breast pocket, when it is turned ON. WTR's evaluation did not identify any risk to bystanders with pacemakers from other persons using wireless devices.

**Electromagnetic fields (EMF)**  
This Vtech product complies with all standards regarding electromagnetic fields (EMF). If handled properly and according to the instructions in this user's manual, the product is safe to be used based on scientific evidence available today.

## WHAT'S IN THE BOX

Your baby monitor package contains the following items. Save your sales receipts and original packaging in the event warranty service is necessary.

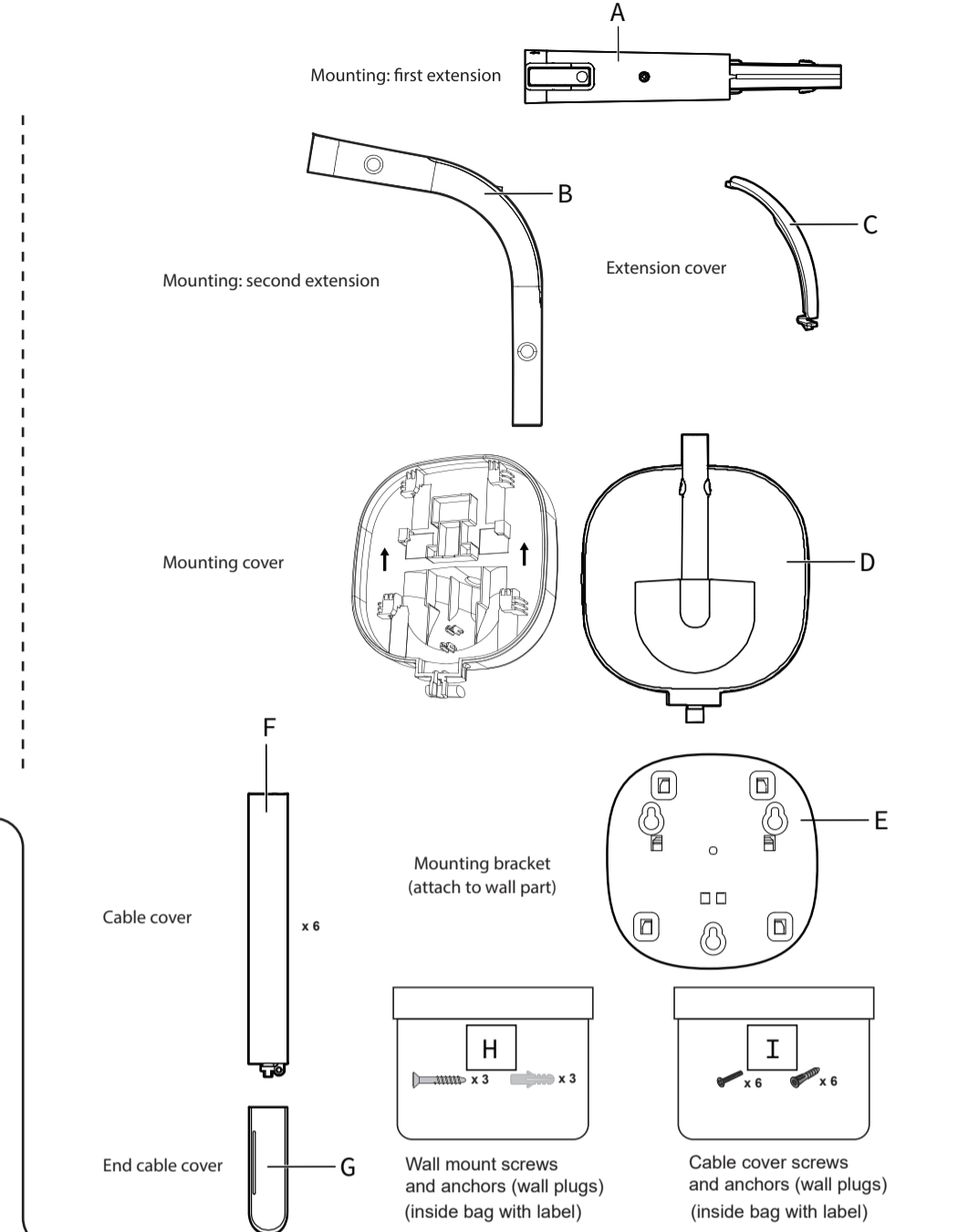


### Requirements

#### For mobile access:

#### MyVTech Baby Plus mobile app

Network	Wi-Fi
Wi-Fi router	2.4GHz 802.11 b/g/n
Internet connection	1.5 Mbps @ 720p or 2.5 Mbps @ 1080p upload bandwidth per baby unit

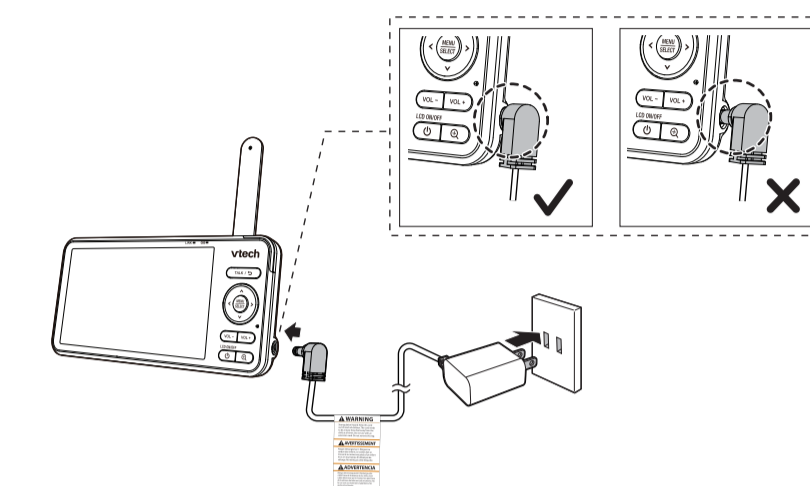


## CONNECT, CHARGE AND POWER ON THE PARENT UNIT

### Connect the baby monitor

#### NOTES

- The rechargeable battery in the parent unit is built-in.
- Use only the power adapters supplied with this product.
- Make sure the parent unit and the baby unit are not connected to the switch controlled electric outlets.
- Connect the power adapters in a vertical or floor mount position only. The adapter prongs are not designed to hold the weight of the parent unit and the baby unit, so do not connect them to any ceiling, under-the-table, or cabinet outlets. Otherwise, the adapter may not properly connect to the outlets.
- Make sure the parent unit, the baby unit and the power adapter cords are out of reach of children.



### Charge the parent unit battery before use

The parent unit runs on an internal rechargeable battery or AC power. To continuously monitor your baby, keep the parent unit connected to AC power.

#### NOTES

- Before using the baby monitor for the first time, charge the parent unit battery for 12 hours. When the parent unit battery is fully charged, the battery icon segments are solid (||||).
- The standby time varies depending on your actual use.

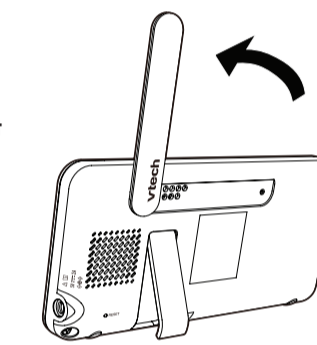
The parent unit turns on automatically after connecting to the power socket, and the welcome screen appears. You can press **Power** to turn the parent unit on or **press and hold** to turn it off.



The battery icon indicates the battery status (see the following table).

BATTERY INDICATORS	BATTERY STATUS	ACTION
and  are displayed on the screen; The  LED light flashes.	The battery has very little charge and may be used for only a short time.	Charge without interruption (about 30 minutes).
The battery icon segments are solid (    ).	The battery is fully charged.	To keep the battery charged, connect it to AC power when in use.

Raise the parent unit antenna for better reception



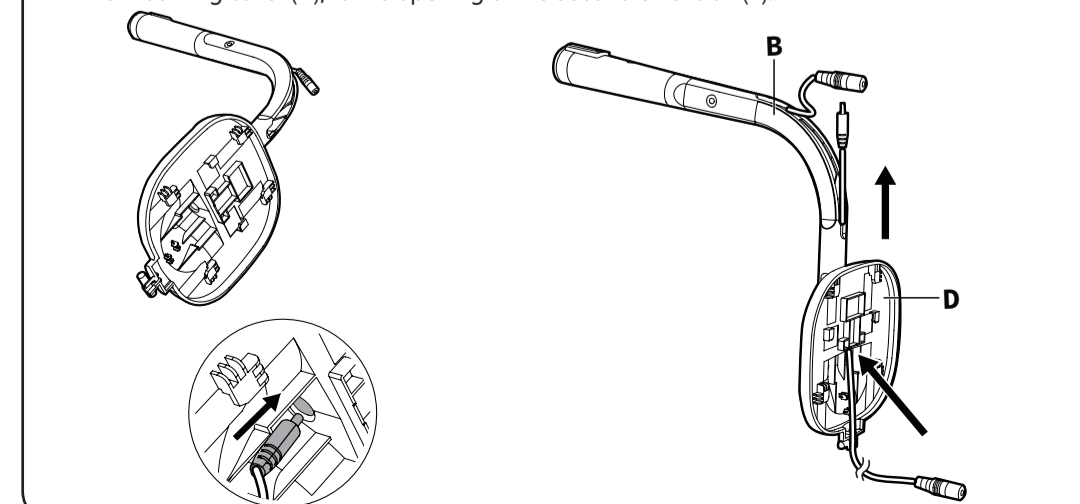
## MOUNT THE BABY UNIT

### Cautions:

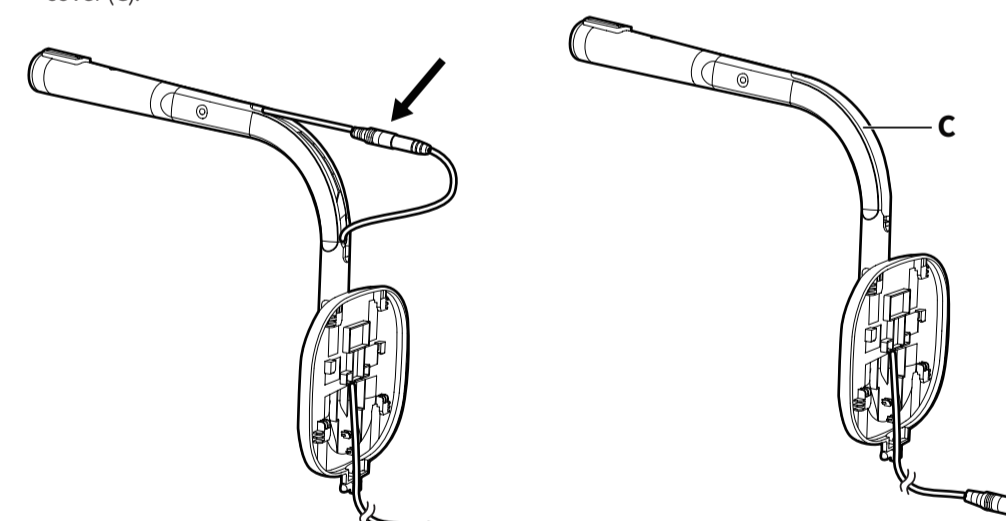
- Wall mount should be 1m above the bed sheet level or baby, and 1.7m above the floor. You can use the mounting template (a paper ruler) for measurement.
- Wall mount should install on the long side of the bed.

### Install the wall mount

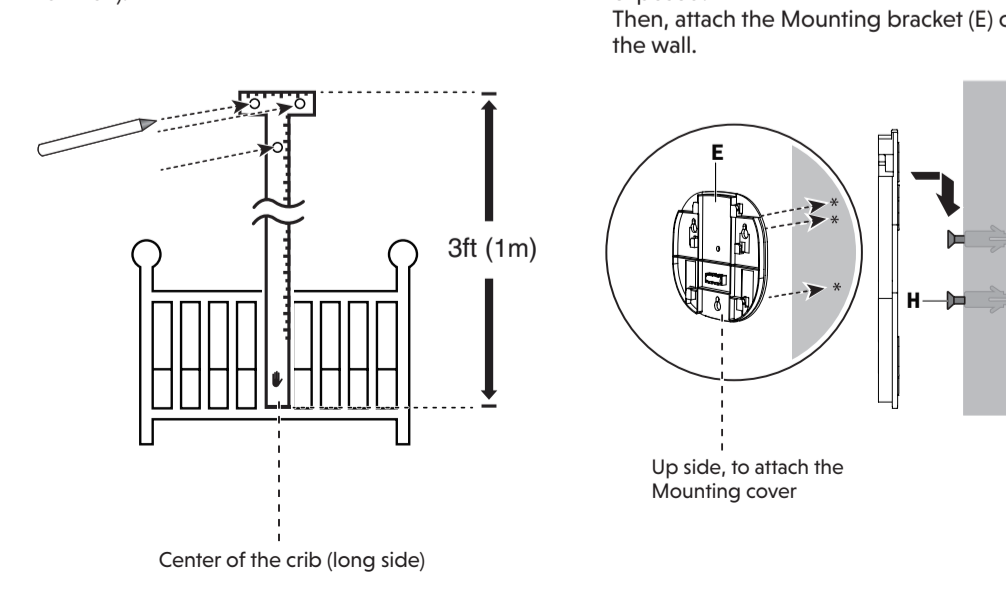
- Insert the First extension (A) onto the Second extension (B), aligning the slot in between. Make sure the DC socket is out on opening of the Second extension and ready for connection.
- Insert the Second extension (B) onto the Mounting cover (D).
- Let the cable jack of the Extension cable pass through from the back of the Mounting cover (D), to the opening of the Second extension (B).



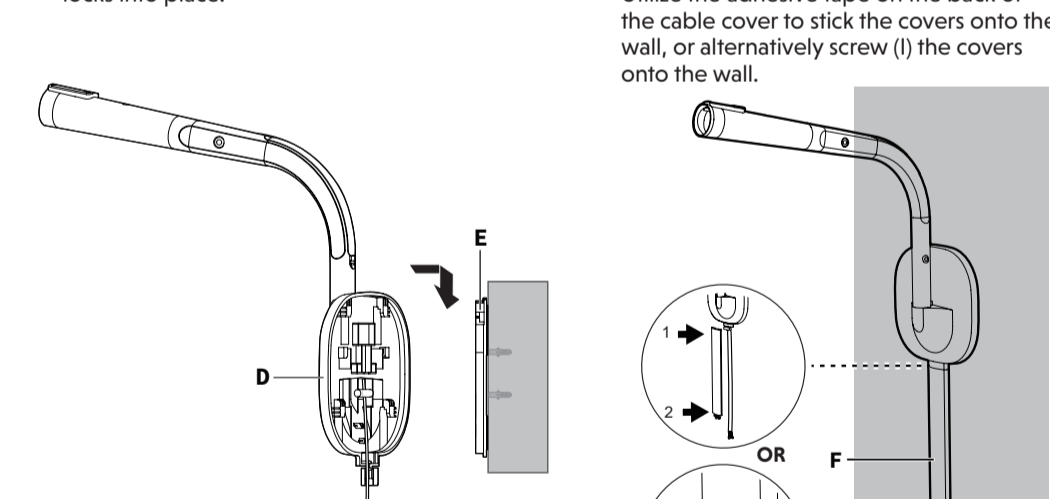
- Connect the cable jack with the DC socket, then secure the cable with the Extension cover (C).



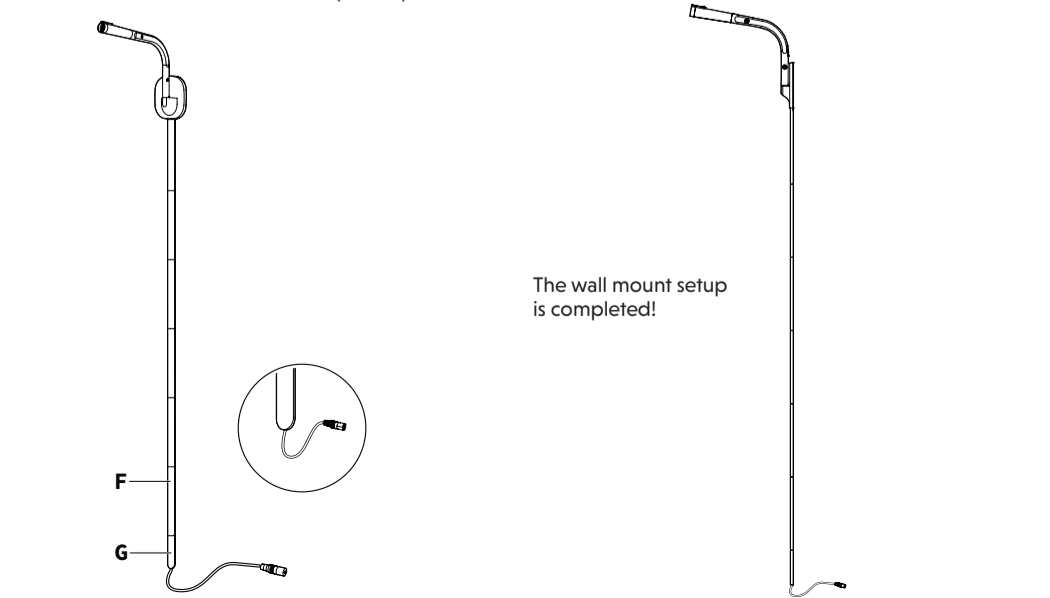
- Use Mounting template to measure the location of the wall mount, and to mark the 3 holes for the screws. Then, drill three holes on the wall (7/32 inch drill bit).



- Place the Mounting cover (D) on the Mounting bracket (E), and then slide it downward until it locks into place.



- Install the End cable cover (G to F) at last.



## INSTALL AND POWER ON THE BABY UNIT

Install the Baby Unit onto the First extension, and connect the adapter to the end of the cable and the power supply to power up the Baby Unit.

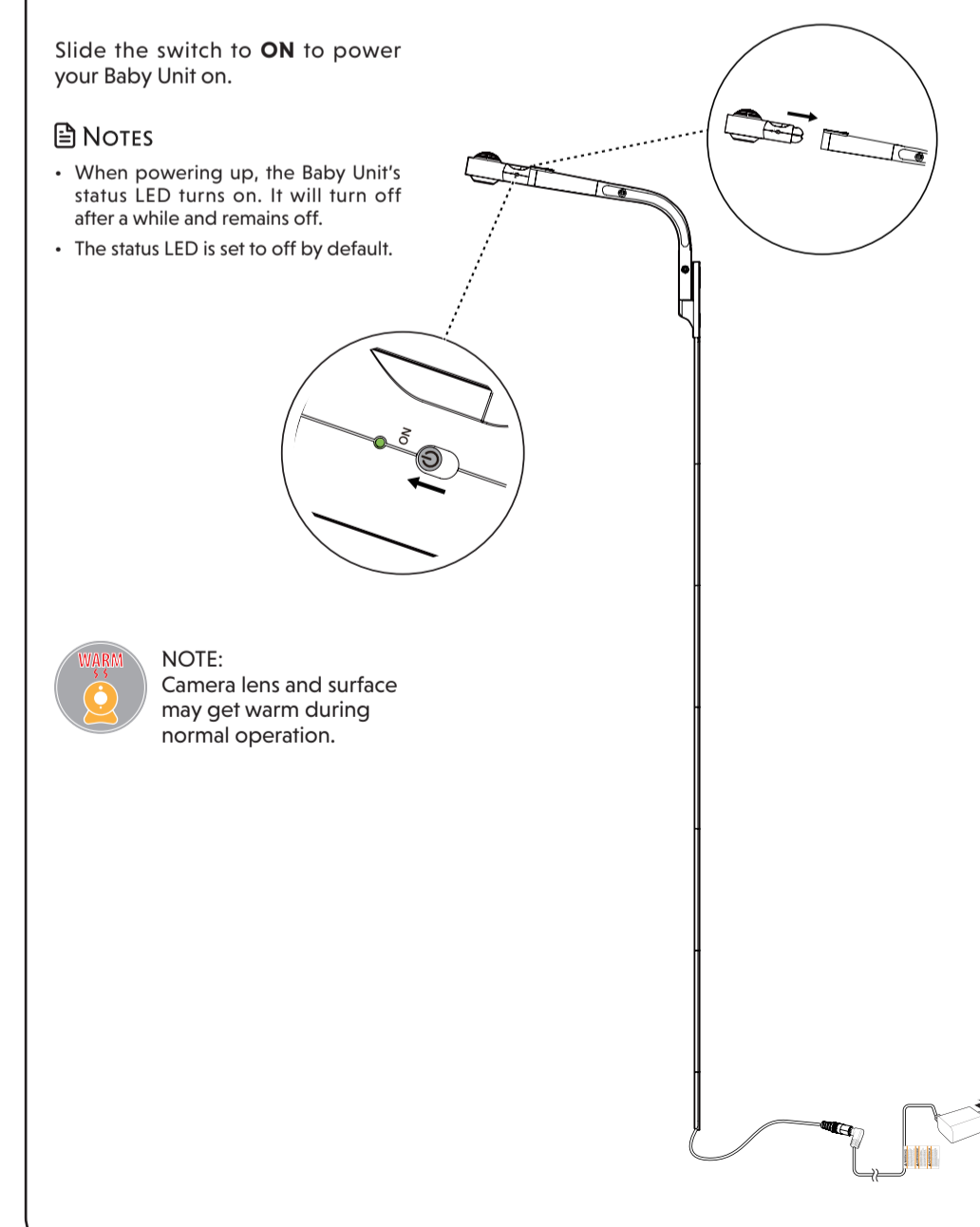
Slide the switch to **ON** to power your Baby Unit on.

#### NOTES

- When powering up, the Baby Unit's status LED turns on. It will turn off after a while and remains off.
- The status LED is set to off by default.



**NOTE:** Camera lens and surface may get warm during normal operation.



## DOWNLOAD APP FOR MOBILE ACCESS

- Download the free **MyVTech Baby Plus** mobile app and install it to a mobile device, then use your mobile device and the mobile app to monitor your baby remotely.

- Press **MENU/SELECT** when the parent unit is idle.
- Go to **Settings** > **Connect Mobile Phone**.
- Scan the QR code in the parent unit to download the app into your mobile device if you have not installed the app yet.
- Follow the instructions in the mobile app to set up and pair your baby unit to the mobile app.

Alternatively, you can download the mobile app from the App Store or Google Play store.

### Install MyVTech Baby Plus mobile app

- Browse the App Store or the Google Play store.
- Search for the mobile app with the keyword "myvtech baby plus".
- Download and install the **MyVTech Baby Plus** mobile app to your mobile device.

#### OR

Scan the QR codes on the right to get the app.

#### NOTE

- Make sure your mobile device meets the minimum requirement for the mobile app.

#### Minimum requirement

The mobile app is compatible with:

- Android™ 6.0 or later; and
- iOS 12 or later.

- After installing the mobile app, follow the instructions in the mobile app and parent unit to set up and pair your baby unit.

#### In your mobile device:

- Tap **+** to run the mobile app in your mobile device, and then create a user account.
- We recommend that you use common webmail services, such as Google Gmail for registration of your user account. Check your email (and Spam folder), and activate your new camera account via the email link, then sign in to your account.
- Follow the instructions in the mobile app to pair the camera. Tap **≡**, then **Add Camera** in the mobile app to get started.



## OVERVIEW

### Baby unit overview

- 1 **Light sensor**
- 2 **Camera lens**
- 3 **Microphone**
- 4 **Infrared LEDs**
  - Allow you to see clearly in a dark environment.
- 5 **Speaker**
- 6 **LED indicator**
  - Steadily on, then off, when the Baby Unit is connected to the Parent Unit.
- 7 **ON/OFF switch**
  - Power it on or off.
- 8 **Night light**
- 9 **Link**
  - Reserve for pairing the Parent Unit.
- 10 **Night light switch**
  - Press to turn the night light on or off.
- 11 **Power connector**

### Parent unit overview

- 1 **LINK LED light**
  - On when the parent unit is linked to the baby unit.
  - Flashes when the link to the baby unit is lost.
- 2 **LED light**
  - On when the parent unit is connected to AC power, and the battery is charging.
  - Flashes when the parent unit battery is low and needs to be charged.
- 3 **3-level sound indicator light**
  - Green: low sound level is detected by the baby unit.
  - Green and amber: moderate sound level is detected by the baby unit.
  - Green, amber and red: high sound level is detected by the baby unit.
- 4 **TALK /**
  - Press and hold to talk to the baby unit.
  - While in a sub-menu, press to return to the previous menu.
- 5 **MENU | SELECT**
  - Press to enter the main menu.
  - While in a menu, press to choose an item, or save a setting.
- 6 **Arrow keys**
  - Press to navigate left, right, up and down within the main and sub-menus.
  - While viewing a zoomed image, press to move the viewed image left, right, up and down.
- 7 **Microphone**
- 8 **VOL - | VOL +**
  - Increase or decrease parent unit volume.
- 9 **Zoom**
  - Press to zoom in/out.
  - While in a sub-menu, press to view the help menu.
- 10 **Power | LCD ON/OFF**
- 11 **Antenna**
- 12 **Speaker**
- 13 **Power jack**
- 14 **RESET**
  - Force reboot the parent unit.
- 15 **Stand**

## PARENT UNIT ICONS

Main Menu	Sub-menu	Options	Main Menu	Sub-menu	Options
<b>Night light</b>		<ul style="list-style-type: none"><li>• Turn on or turn off night light.</li><li>• Select a night light color.</li></ul>			<ul style="list-style-type: none"><li>• Change temperature display format.</li></ul>
		<ul style="list-style-type: none"><li>• Adjust night light brightness.</li><li>• Set the brightness to Auto adaptive ambience.</li></ul>			<ul style="list-style-type: none"><li>• Mute or adjust notifications volume level.</li></ul>
		<ul style="list-style-type: none"><li>• Set the timer to turn off night light after 15, 30 or 60 minutes, or remain on always.</li></ul>			<ul style="list-style-type: none"><li>• Turn on/off low battery notification.</li><li>• Turn on/off no link notification.</li><li>• Reset settings, software update.</li></ul>
<b>Melodies and soothing sounds</b>		<ul style="list-style-type: none"><li>• Play or stop.</li><li>• Select to play all melodies, or play one of the five melodies or five soothing sounds.</li><li>• Set the timer to stop playing after 15, 30 or 60 minutes, or play non-stop.</li><li>• Adjust the play volume level.</li></ul>	<b>Alerts Settings</b>		<ul style="list-style-type: none"><li>• Adjust alerts volume level.</li><li>• Select maximum and minimum temperature for alert range.</li><li>• Turn on/off temperature detection alert.</li><li>• Adjust <b>Motion Sensitivity Level</b> to activate parent unit screen and speaker.</li><li>• Turn on/off motion detection alert.</li><li>• Turn on/off cry alert.</li></ul>
<b>General settings</b>		<ul style="list-style-type: none"><li>• Connect to home Wi-Fi network.</li><li>• Connect mobile phone.</li><li>• Adjust Baby Unit speaker volume.</li><li>• Adjust Parent Unit screen brightness.</li><li>• Turn the screen off timer on/off, set to screen off after 1, 3 or 5 minutes, or auto screen on when sound detected.</li><li>• Set <b>Sound Sensitivity Level</b> for auto screen on.</li></ul>	<b>Help and info</b>		<ul style="list-style-type: none"><li>• Support Information</li><li>• System Information</li></ul>

### Status icons

- Direct mode**  
The parent unit and baby unit connect to each other directly. Red bars indicate no connection.
- Router mode**  
The parent unit and baby unit connect via the home Wi-Fi network. The red icon(s) on the baby unit or parent unit, indicates no connection between the respective unit(s) and the router.
- Night vision is turned on.
- Motion detection alert is turned on.
- Cry alert is turned on.
- Face covered alert is turned on.
- Melodies and soothing sounds are playing.
- Night light is turned on.
- Auto night light brightness is activated.
- Temperature alert is turned on.
- Parent unit is muted.
- Humidity
- Temperature
- Battery level indicator
- Low battery indicator

## BASIC OPERATION

After powering up your baby monitor, the parent unit streams live video in direct mode. We recommend you follow the instructions on-screen to set up home Wi-Fi network with your monitor for functionality enhancements and mobile access. See **Auto software and firmware update** and **Download app for mobile access** in this Quick Start Guide.

### Use the menu

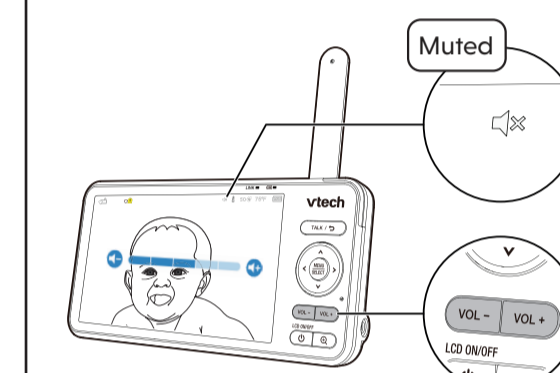
Press **MENU** on the parent unit to enter the main menu, choose a menu item, or save a setting. You can use the parent unit menu for advanced settings or operations, such as to play or stop the baby unit lullaby, or adjust the baby unit sound sensitivity.

While in the menu:

- Press **Left/Right/Up/Down** to scroll through the menu options.
- Press **SELECT** to select an item.
- Press **TALK** to return to the live video.
- Press **Q** to go to the **Help & info** page.

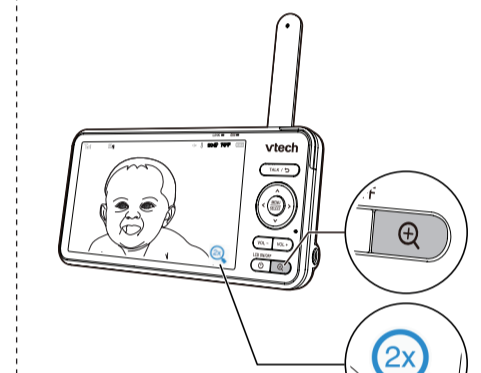
### Adjust speaker volume

Press **VOL - | VOL +** to adjust the parent unit speaker volume level received from the baby unit.



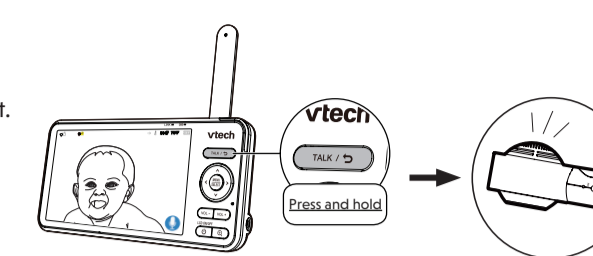
### Zoom

Press **Q** to zoom in or out in a fixed zoom sequence. **2x** indicates the image is magnified 2 times.



### Talk to your baby via the baby unit

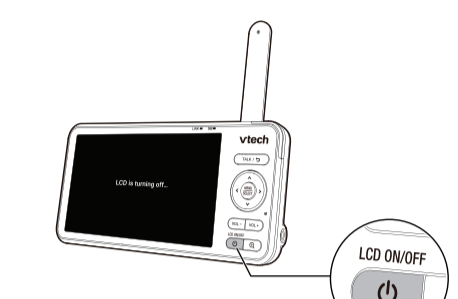
1. Press and hold the **TALK** key.
2. When the icon displays on screen, speak to your parent unit. Your voice is transmitted to the baby unit.
3. When finished talking, release the **TALK** key to hear your baby again.



### Turn on/off the parent unit screen

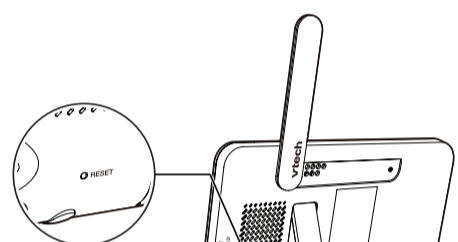
You can turn on or turn off the parent unit screen without powering off the unit. You will still hear sounds from the baby unit.

- Press **ON/OFF** on the parent unit to turn off the screen.
- Press any key on the parent unit to turn the screen on again.



### TIP

To restore to the default settings or reset the Wi-Fi connection, you can reset the parent unit by pressing the **RESET** key at the back of the unit.



## HOW THE SYSTEM WORKS

**TIP** For better security and more stable connectivity, this baby monitor requires connecting to a Wi-Fi network and operating in Router mode connection.

### Direct mode

Your baby monitor parent unit and baby unit connect to each other in Direct mode by default, which allows you to immediately stream video out of the box. It is **NOT recommended to continue using Direct Mode connection after initial installation.**



**TIP** You may experience reduced signal strength if your parent unit and baby unit are far apart, or there are obstructing factors, such as internal walls, between them. Move the parent unit closer to the baby unit to improve the signal strength.

### Router mode

You are required to set up your monitor in **Router mode** to enjoy live video streaming via your parent unit with an enhanced connection. **Router mode** is the recommended mode for stable connectivity.

**Router mode** uses your home Wi-Fi network to connect your video monitor. It supports live video streaming through the parent unit and smartphone app.

If you want to stream live video remotely with your mobile device, download and install the **MyVtech Baby Plus** mobile app. With the mobile app, your Wi-Fi router (not including) provides Internet connectivity to your HD video monitor system. It serves as a communication channel between your baby unit and mobile device, allowing you to monitor and/or control your baby unit wherever you are. For more details, see **Download app for mobile access** section in this quick start guide.

### NOTE

- When both parent unit and app are viewing the camera simultaneously, the video quality will be optimised to deliver the best possible viewing result.

## PROTECT YOUR PRIVACY AND ONLINE SECURITY

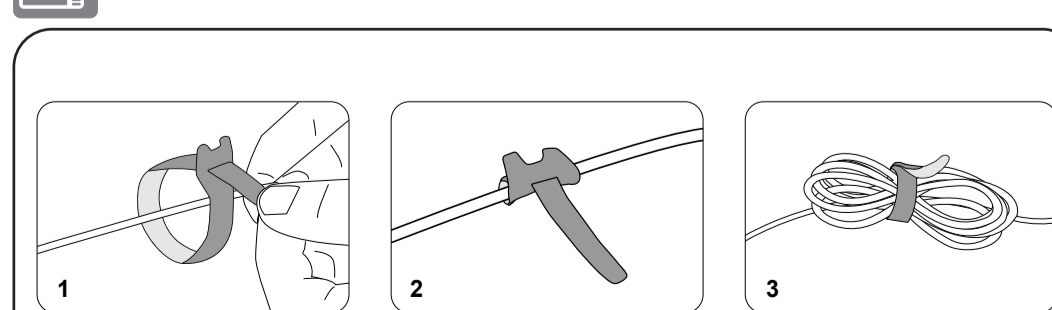
Vtech cares about your privacy and peace of mind. That's why we've put together a list of industry-recommended best practices to help keep your wireless connection private and your devices protected when online. We recommend you carefully review and consider complying with the following tips.

- Ensure your wireless connection is secure.
- Before installing a device, ensure your router's wireless signal is encrypted by selecting the "WPA2-PSK with AES" setting in your router's wireless security menu.
- Change default settings:
  - Change your wireless router's default wireless network name (SSID) to something unique.
  - Change default passwords to unique, strong passwords. A strong password:
    - Is at least 10 characters long.
    - Is complex.
    - Does not contain dictionary words or personal information.
    - Contains a mix of uppercase letters, lowercase letters, special characters and numbers.
- Keep your devices up to date.
- Download security patches from manufacturers as soon as they become available. This will ensure you always have the latest security updates.
- If the feature is available, enable automatic updates for future releases.
- Disable Universal Plug and Play (UPnP) on your router.
- UPnP Enabled on a router can limit the effectiveness of your firewall by allowing other network devices to open inbound ports without any intervention or approval from you. A virus or other malware program could use this function to compromise security for the entire network.

For more information on wireless connections and protecting your data, please review the following resources from industry experts:

1. Federal Communications Commission: Wireless Connections and Bluetooth Security Tips – [www.fcc.gov/consumers/guides/how-protect-yourself-online](http://www.fcc.gov/consumers/guides/how-protect-yourself-online).
2. U.S. Department of Homeland Security: Before You Connect a New Computer to the Internet – [www.us-cert.gov/ncsc/topics/3713-2013](http://www.us-cert.gov/ncsc/topics/3713-2013).
3. Federal Trade Commission: Using IP Cameras Safely – <https://www.consumer.ftc.gov/articles/0382-using-ip-cameras-safely>.
4. Wi-Fi Alliance: Discover Wi-Fi Security – <http://www.wi-fi.org/discover-wi-fi/security>.

## CABLE MANAGEMENT



## AUTO SOFTWARE AND FIRMWARE UPDATE

To ensure that your HD video monitor is always at its best performance, the Parent Unit will prompt a message and ask you to update its software and the Baby Unit's firmware when there are new versions available. Select "Now" to reboot the system, or switch off and on the Parent Unit later to reboot the system into the latest software.

- To check if your device is running on the latest software, or to update your device software, go to:

> > **Software Update.**

### Connect your HD video monitor with home Wi-Fi network

You must connect your video monitor to your secured home Wi-Fi network in order to receive the latest software and firmware updates. To set the Wi-Fi up, go to:

> > **Configure Wi-Fi.**

### NOTE

- Make sure the Baby Unit is on when you set up the Wi-Fi network.

## NEED HELP?

For operations and guides to help you use your video monitor, and for the latest information and support, check out our online help topics and online FAQs.

Use your smartphone or mobile device to access our online help.

- Go to <https://phones.vtechcanada.com/manuals>; OR

- Scan the QR code on the right. Launch the camera app or QR code scanner app on your smartphone or tablet. Hold the device's camera up to the QR code and frame it. Tap the notification to be redirected to the online help page.

- If the QR code is not clearly displayed, adjust your camera's focus by moving your device closer or further away until it is clear.

- Search for the model - **VC2105**

You can also call our Customer Support at 1 (800) 267-7377 for help.



## GENERAL PRODUCT CARE

- To keep this product working well and looking good, follow these guidelines:
- Avoid placing it near heating appliances and devices that generate electrical noise (for example, motors or fluorescent lamps).
- DO NOT expose it to direct sunlight or moisture.
- Avoid dropping the product or treating it roughly.
- Clean with a soft damp cloth.
- DO NOT immerse the parent unit and the baby unit in water and do not clean under running water.
- DO NOT use cleaning spray or liquid cleaners.
- Make sure the parent unit and the baby unit are dry before you connect them to the mains again.

## STORAGE

When you are not going to use the video monitor for some time, store the parent unit, the baby unit and the power adapters in a cool, dry location.

## FREQUENTLY ASKED QUESTIONS

Below are the questions most frequently asked about the video monitor.

Can I turn the parent unit display screen off but keep hearing sounds from the baby unit?

Yes, press **ON/OFF** on the parent unit to turn off the screen. The parent unit display will also dim automatically after being inactive for some time. In both instances, you will still be able to hear all sounds from the baby unit. Press any key to turn the screen back on.

Why is the baby unit not responding normally?

Try the following (in the order listed) for a common cure:

1. Disconnect the power to the baby unit.
2. Wait a few minutes before connecting power back to the baby unit.
3. Reboot the parent unit.

Why is my screen in black and white?

The baby unit has a light sensor that measures ambient light. When the ambient light is dim, such as during night time or in a dark room, the baby unit activates its infrared LEDs, and displays the camera images in black and white night vision.

Why does my baby unit show offline? Why is the connection lost every now and then?

The baby unit may have lost connection to the Wi-Fi router. Check your network and router settings.

Other electronic products may cause interference with your baby unit. Try installing your baby unit as far away from these electronic devices as possible.

Why can't I hear a sound/Why can't I hear my baby crying?

The parent unit speaker volume may be too low. Press **VOL +** on the parent unit to increase the volume.

You may have set a low sound sensitivity level. Set the sound sensitivity to a higher level.

## THE RBRC SEAL

The RBRC seal on the lithium-ion battery indicates that Vtech Communications, Inc. is voluntarily participating in an industry program to collect and recycle these batteries at the end of their useful lives, when taken out of service within the United States and Canada. The program provides a convenient alternative to placing used lithium-ion batteries into the trash or municipal waste, which may be illegal in your area.

Vtech's participation makes it easy for you to drop off the spent product at local retailers participating in the program or at authorized Vtech product service centers. Please call 1 (800) 8 BATTERY for information on Li-Ion battery recycling and disposal bans/restrictions in your area. Vtech's involvement in this program is part of its commitment to protecting our environment and conserving natural resources.

The RBRC Seal and 1 (800) 8 BATTERY are registered trademarks of Call2Recycle, Inc.

## FCC AND IC REGULATIONS

**FCC Part 15**  
NOTE: This equipment has been tested and found to comply with the requirements for a Class B digital device under Part 15 of the Federal Communications Commission (FCC) rules. These requirements are intended to provide reasonable protection against harmful interference in a residential installation. This equipment generates, uses and can radiate radio frequency energy and, if not installed and used in accordance with the instructions, may cause harmful interference to radio communications. However, there is no guarantee that interference will not occur in a particular installation. If this equipment does cause harmful interference to radio or television reception, which can be determined by turning the equipment off and on, the user is encouraged to try to correct the interference by one or more of the following measures:

- Reorient or relocate the receiving antenna.
- Increase the separation between the equipment and receiver.
- Connect the equipment into an outlet on a circuit different from that to which the receiver is connected.
- Consult the dealer or an experienced radio/TV technician for help.

**WARNING:** Changes or modifications to this equipment not expressly approved by the party responsible for compliance could void the user's authority to operate the equipment.

This device complies with Part 15 of the FCC rules. Operation is subject to the following two conditions: (1) This device may not cause harmful interference, and (2) this device must accept any interference received, including interference that may cause undesired operation.

To ensure safety of users, the FCC has established criteria for the amount of radio frequency energy that can be safely absorbed by a user or bystander according to the intended usage of the product. This product has been tested and found to comply with the FCC criteria. The baby unit shall be installed and used such that parts of all persons' body are maintained at a distance of approximately 8 in (20 cm) or more. The transmitter and antenna of the parent unit shall be held at least 1 in (2.5 cm) from your face.

This Class B digital apparatus complies with Canadian requirements.

**Industry Canada**  
This device contains licence-exempt transmitter(s)/receiver(s) that comply with Innovation, Science and Economic Development Canada's licence-exempt RSS(s). Operation is subject to the following two conditions: (1) This device may not cause interference. (2) This device must accept any interference that may cause undesired operation of the device. The term "IC" before the certification/registration number only signifies that the Industry Canada technical specifications were met. This product meets the applicable Innovation, Science and Economic Development Canada technical specifications.

**RF radiation exposure statement**  
The product complies with FCC RF radiation exposure limits set forth for an uncontrolled environment. The baby unit should be installed and operated with a minimum distance of 8 in (20 cm) between the baby unit and all persons' body. Use of other accessories may not ensure compliance with FCC RF exposure guidelines. This equipment complies also with Industry Canada RSS-102 with respect to Canada's Health Code 6 for Exposure of Humans to RF Fields.

## LIMITED WARRANTY

### What does this limited warranty cover?

The manufacturer of this Vtech Product warrants to the holder of a valid proof of purchase ("Consumer" or "you") that the Product and all accessories provided in the sales package ("Product") are free from defects in material and workmanship, pursuant to the following terms and conditions, when installed and used normally and in accordance with the Product operating instructions. This limited warranty extends only to the Consumer for Products purchased and used in the United States of America and Canada.

**What will Vtech do if the Product is not free from defects in materials and workmanship during the limited warranty period ("Materially Defective Product")?**

During the limited warranty period, Vtech's authorized service representative will replace at Vtech's option, without charge, a Materially Defective Product. If we choose to replace the Product, we may replace it with a new or refurbished Product of the same or similar design. We will retain defective parts, modules, or equipment. Replacement of the Product, at Vtech's option, is your exclusive remedy. Vtech will return the replacement Products to you in working condition. You should expect the replacement to take approximately 30 days.

### How long is the limited warranty period?

The limited warranty period for the Product extends for ONE (1) YEAR from the date of purchase (90 days on products purchased as Refurbished). This limited warranty also applies to the replacement Product for a period of either (a) 90 days from the date the replacement Product is shipped to you or (b) the time remaining on the original one-year warranty (90-day limited warranty on products that are purchased as Refurbished); whichever is longer.

\*Refurbished products purchased from our online store carry a 90-day replacement warranty.

### What is not covered by this limited warranty?

This limited warranty does not cover:

1. Product that has been subjected to misuse, accident, shipping or other physical damage, improper installation, abnormal operation or handling, neglect, inundation, fire, water or other liquid intrusion; or
2. Product that has been damaged due to repair, alteration or modification by anyone other than an authorized service representative of Vtech; or
3. Product to the extent that the problem experienced is caused by signal conditions, network reliability, or cable or antenna systems; or
4. Product to the extent that the problem is caused by use of the use of this Product. Some states/provinces
5. Product whose warranty/quality stickers, product serial number plates or electronic serial numbers have been removed, altered or rendered illegible; or
6. Product purchased, used, serviced, or shipped for repair from outside the United States of America or Canada, or used for commercial or institutional purposes (including but not limited to Products used for rental purposes); or
7. Product returned without a valid proof of purchase (see Item 2 below); or
8. Charges for installation or set up, adjustment of customer controls, and installation or repair of systems outside the unit.

### How do you get warranty service?

To obtain warranty service in the U.S., please visit our website at [www.vtechphones.com](http://www.vtechphones.com) or call 1 (800) 595-9511. In Canada, go to [www.vtechcanada.com](http://www.vtechcanada.com) or call 1 (800) 267-7377.

NOTE: Before calling for service, please review the user's manual - a check of the Product's controls and features may save you a service call.

Except as provided by applicable law, you assume the risk of loss or damage during transit and transportation and are responsible for delivery or handling charges incurred in the transport of the Product(s) to the service location. Vtech will return replaced Product under this limited warranty. Transportation, delivery or handling charges are prepaid. Vtech assumes no risk for damage or loss of the Product in transit.

### What must you return with the Product to get warranty service?

1. Return the entire original package and contents including the Product to the Vtech service location along with a description of the malfunction or difficulty; and
2. Include a "valid proof of purchase" (sales receipt) identifying the Product purchased (Product model) and the date of purchase or receipt; and
3. Provide your name, complete and correct mailing address, and telephone number.

### Other limitations

This warranty is the complete and exclusive agreement between you and Vtech. It supersedes all other written or oral communications related to this Product. Vtech provides no other warranties for this Product. The warranty exclusively describes all of Vtech's responsibilities regarding the Product. There are no other express warranties. No one is authorized to make modifications to this limited warranty and you should not rely on any such modifications. State/Provincial Law Right: This warranty gives you specific legal rights, and you may also have other rights, which vary from state to state or province to province.

Limitations: Implied warranties, including those of fitness for a particular purpose and merchantability (an unwritten warranty that the Product is fit for ordinary use) are limited to one year from the date of purchase. Some states/provinces do not allow limitations on how long an implied warranty lasts, so the above limitation may not apply to you. In no event shall Vtech be liable for any indirect, special, incidental, consequential, or similar damages (including, but not limited to lost profits or revenue, inability to use the Product or other associated equipment, the cost of substitute equipment, and claims by third parties) resulting from the use of this Product. Some states/provinces do not allow the exclusion or limitation of incidental or consequential damages, so the above limitation or exclusion may not apply to you.

Please retain your original sales receipt as proof of purchase.