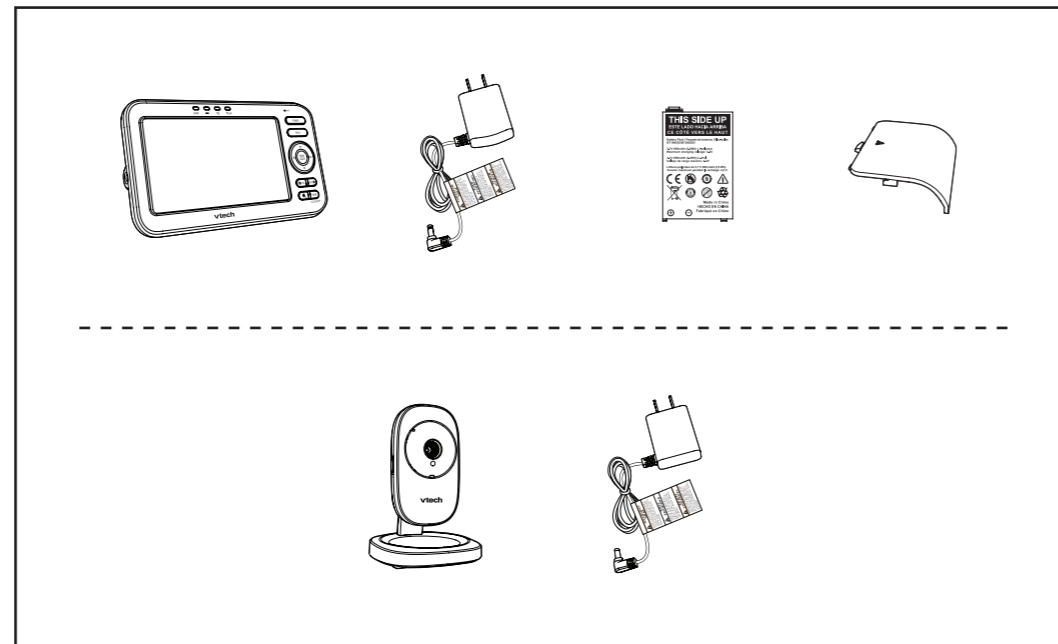




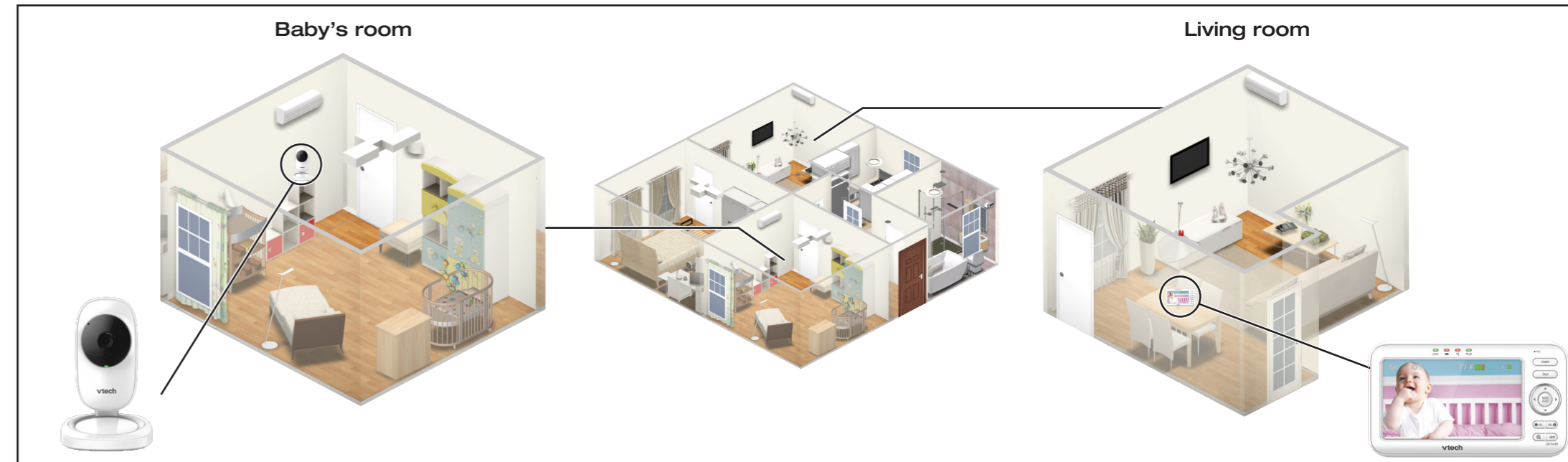
Quick start guide
(Canada version)



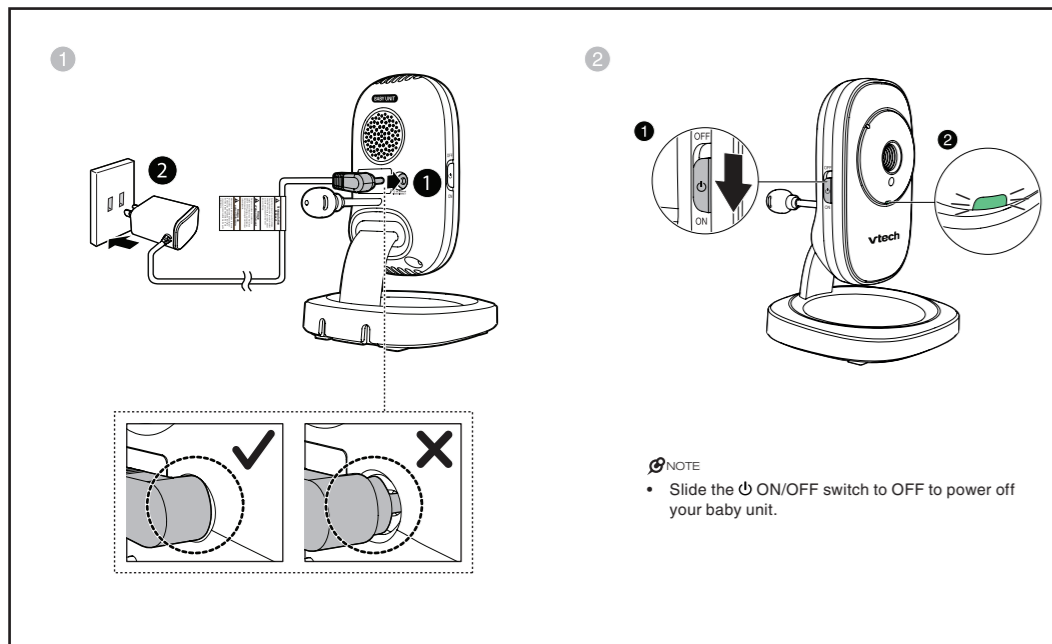
What's in the box



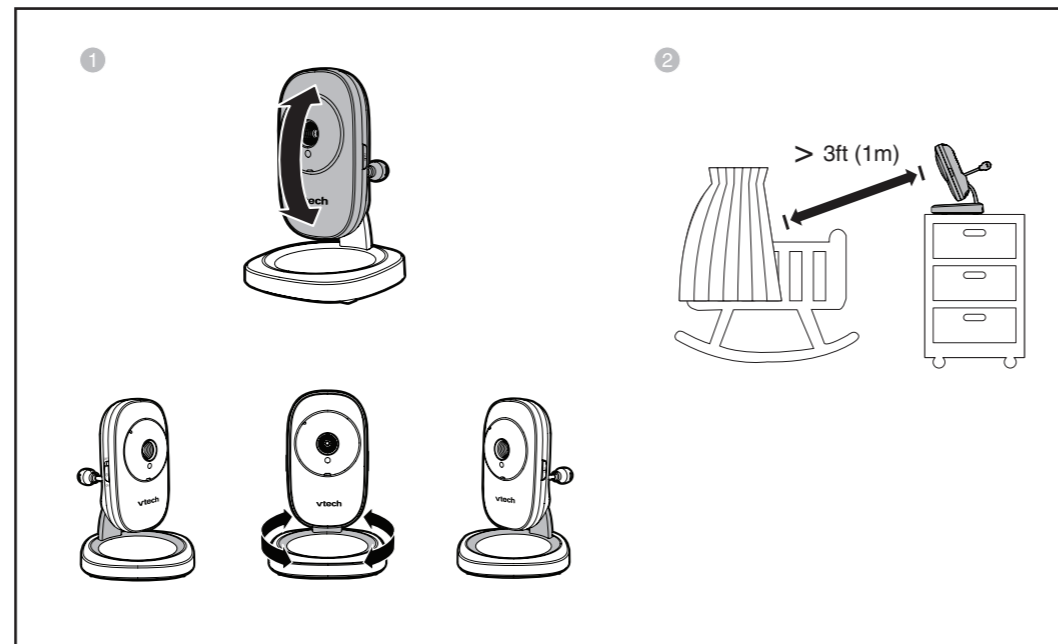
VM5251 baby monitor system



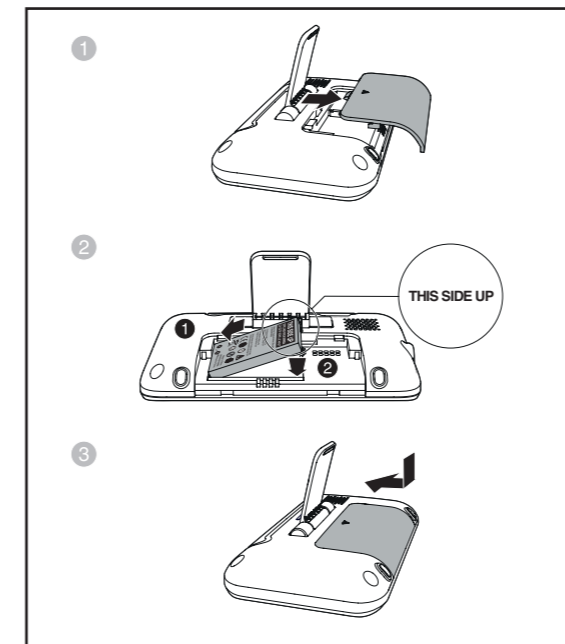
1 Connect and power on/off - Baby unit



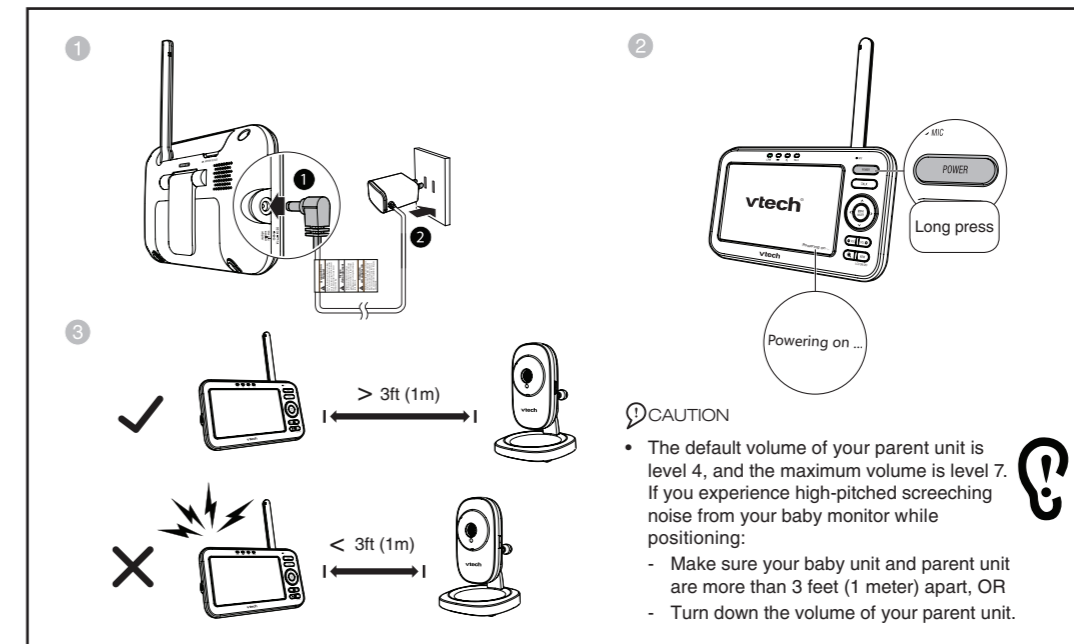
2 Positioning - Baby unit



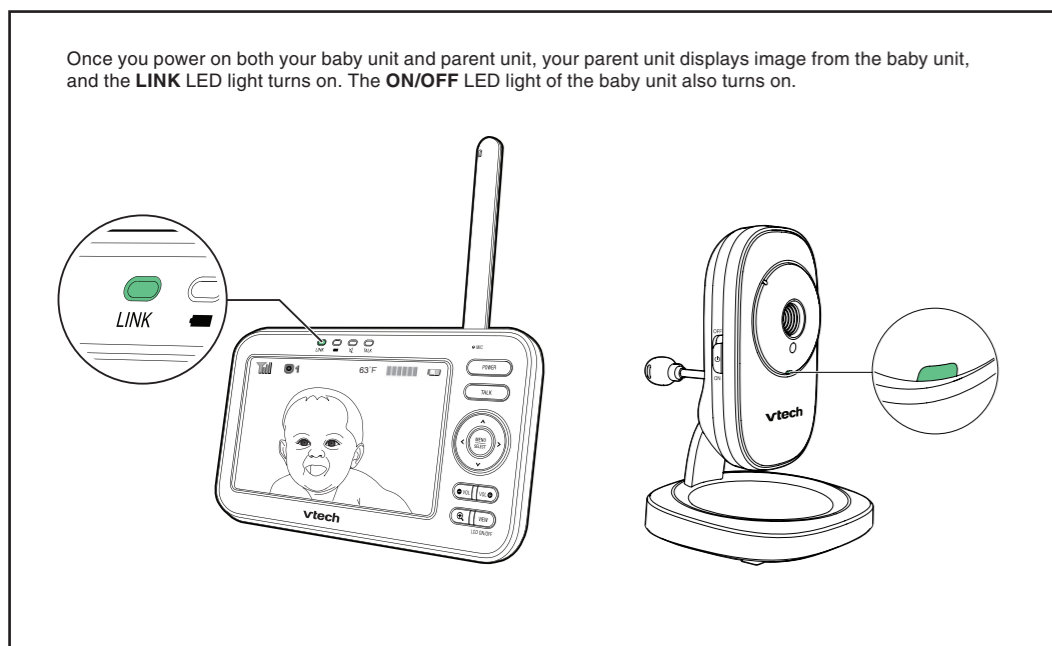
3 Install the battery



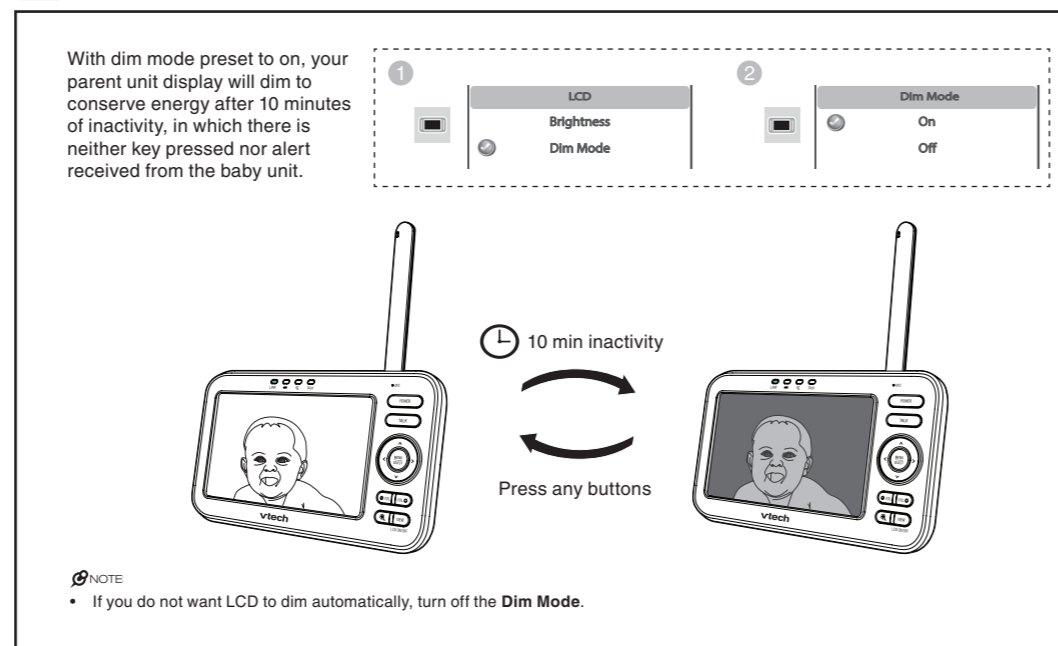
4 Connect and power on - Parent unit



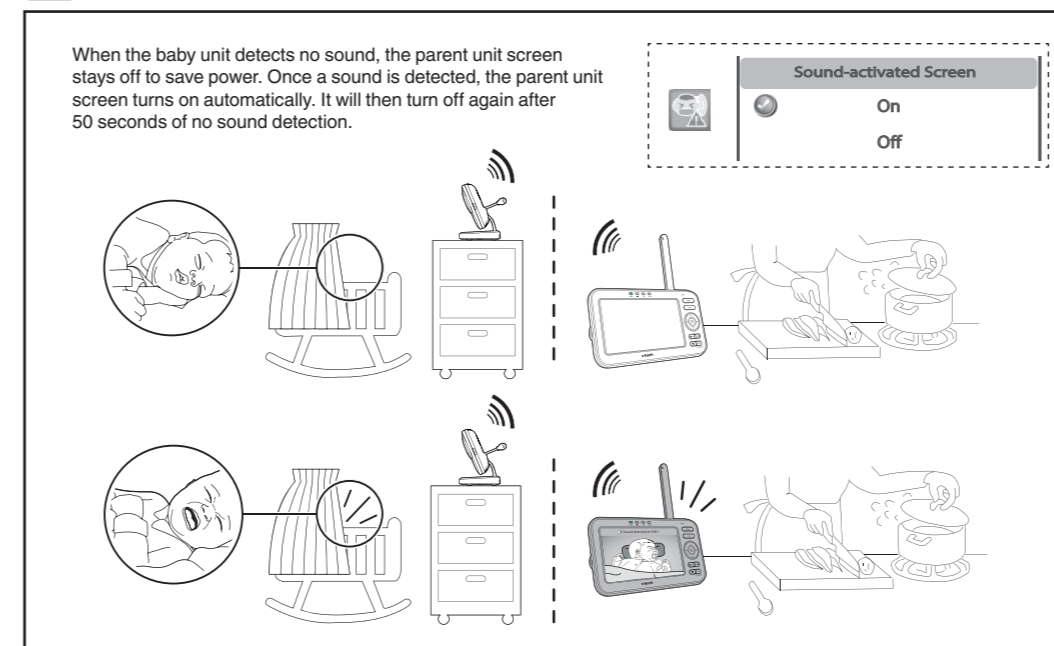
5 Status check



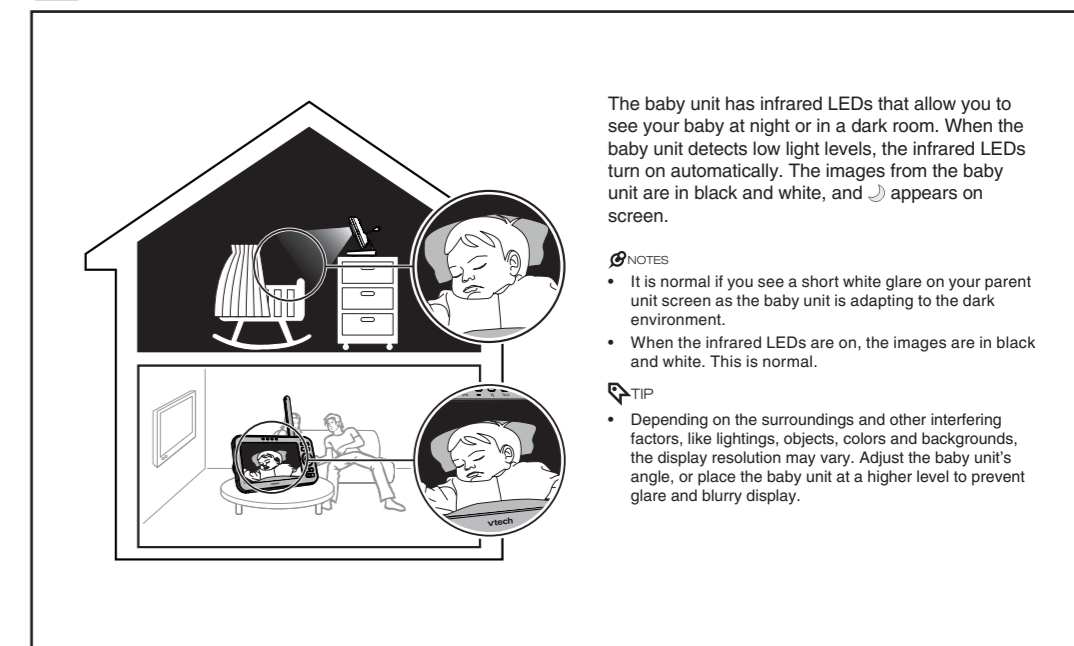
Dim mode



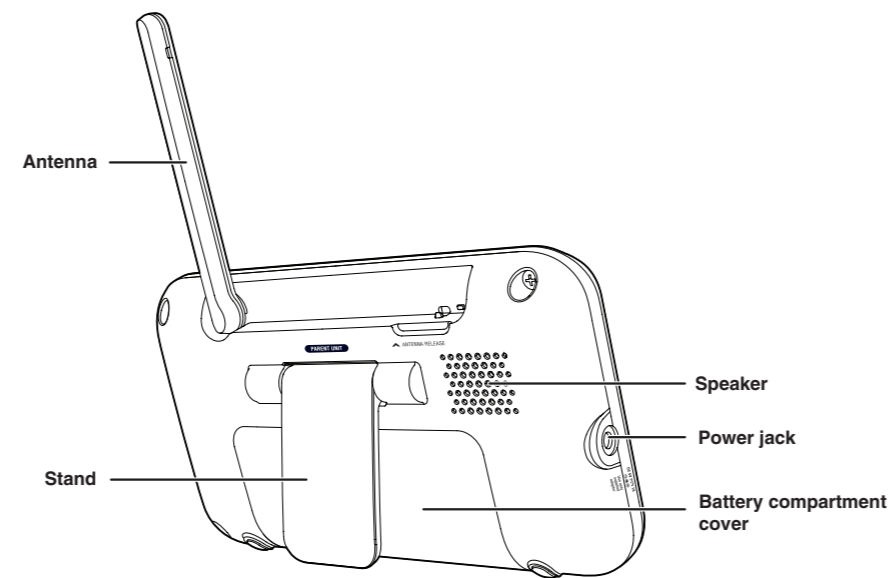
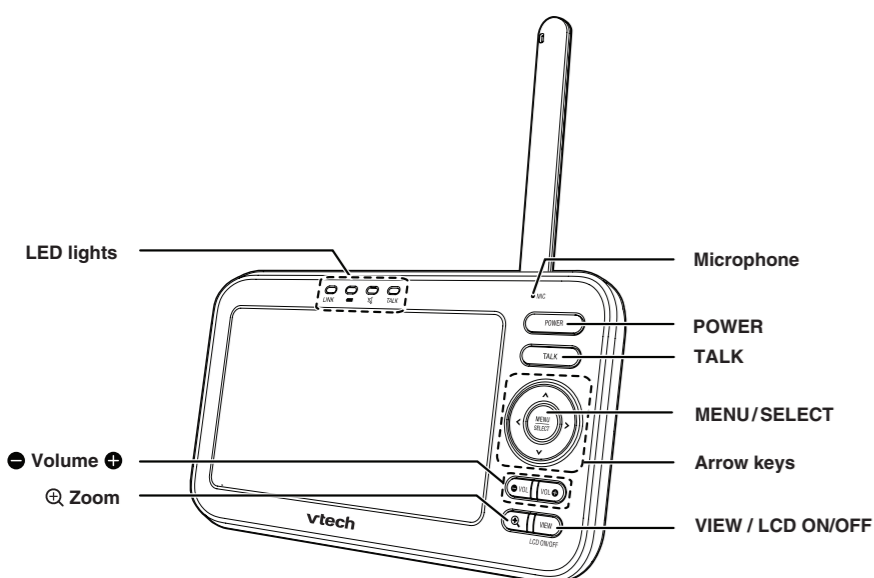
Sound activation



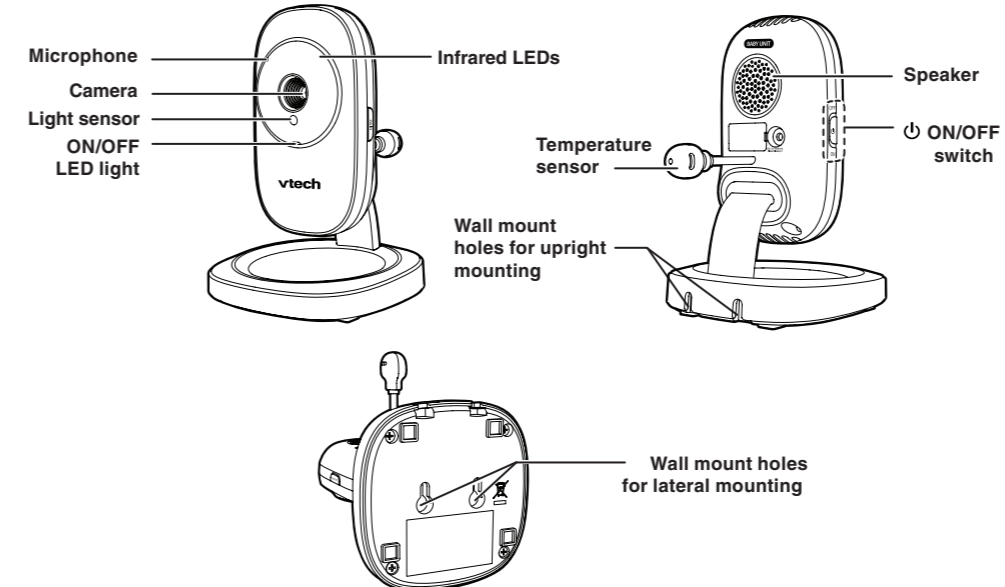
Night vision



Overview - Parent unit



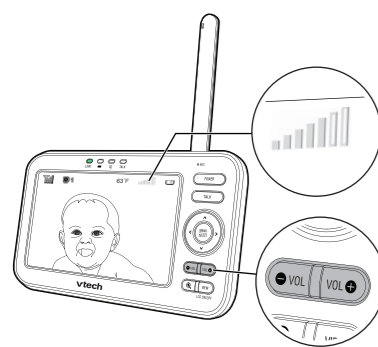
Overview - Baby unit



Basic operation - Parent unit

Adjust speaker volume

Press **VOL +** or **VOL -** to adjust your parent unit speaker volume. It determines the volume of sound transmitted from your baby unit.



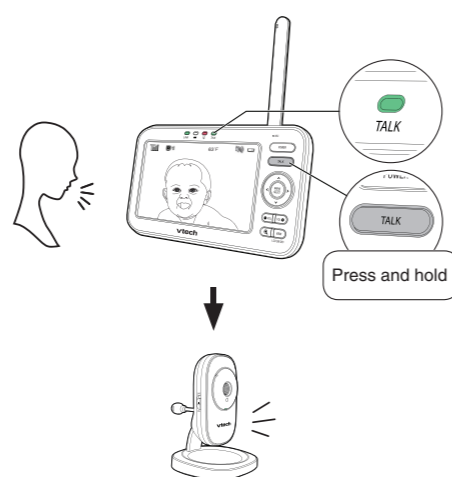
Zoom

Press **Q** to zoom in or out.



Talk to your baby unit

Press and hold **TALK** and speak to your parent unit. Your voice is transmitted to the baby unit.



Turn off the screen

Press and hold **LCD ON/OFF** to switch off the screen. You can still hear sound from the baby unit.



TIP

- Press any keys on the parent unit to turn on the screen again.

Use the menu

Press **MENU/SELECT** to enter the menu, choose a menu item, or save a setting. You can use the parent unit menu for the advanced settings or operations, such as to play or stop the baby unit lullaby, or to adjust the baby unit sound sensitivity.

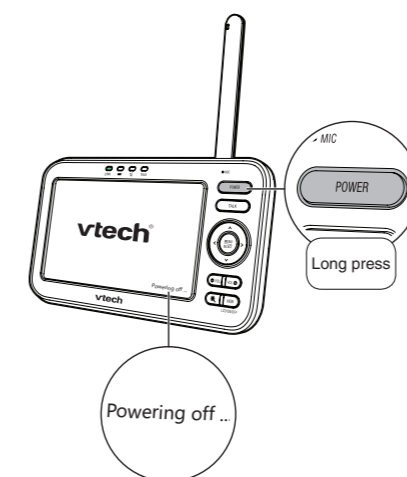
While in the menu:

- Press **▲** or **▼** to scroll up or down.
- Press **▶** to select an item.
- Press **◀** to return to the main menu or idle screen.



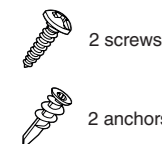
Turn off the parent unit

Press and hold **POWER** to power off your parent unit.

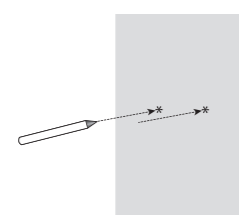


Mount the baby unit (optional)

You will need to purchase the following items separately to mount your baby unit:



1



Use a pencil to mark two holes in parallel. Make sure they are the same distance apart as the wall mount holes on the baby unit.

NOTE

- Check for reception strength and camera angle before drilling the holes.

2



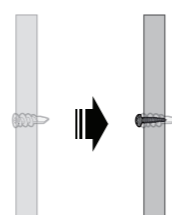
Drill two holes in the wall.

If you drill the holes into a stud, go to step 3.

-OR-

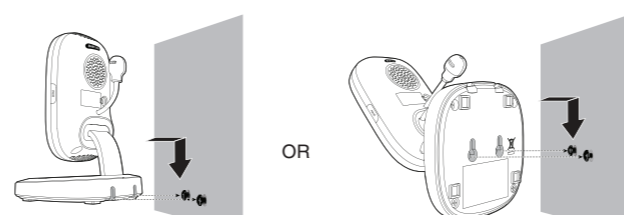
If you drill the holes into an object other than a stud, insert the wall anchors into the holes. Tap gently on the ends with a hammer until the wall anchors are flush with the wall.

3



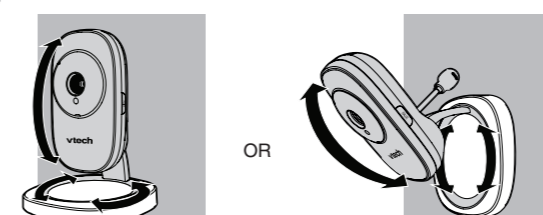
Insert the screws into the holes and tighten the screws until only 1/4 inch of the screws are exposed.

4



Depending on your preference, choose the upright or lateral orientation to mount your unit. Align the wall mount holes at the bottom or at the rear side of the baby unit with the screws on the wall. Slide the baby unit down until it locks into place.

5



Tilt or rotate to adjust camera angle.

